

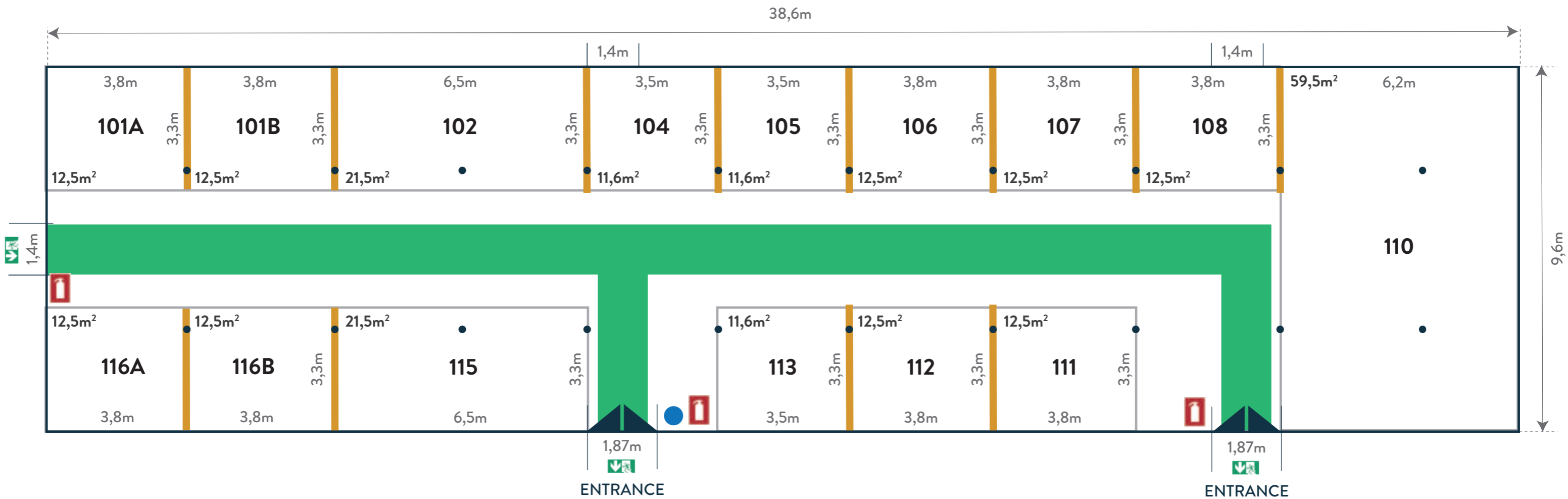
# BRAHETROLLEBORG GAME FAIR 2025



- THE ENTRANCE
- S TENT BOOTH
- EXHIBITION BUILDING
- ☼ DINNING TENT
- FOOD AND BEVERAGES
- CREW/EXHIBITOR FOOD AND BEVERAGES
- AUKTION OFFICE
- TICKET CHECK
- PARKING
- CARGO TRAILER PARKING
- MEETING POINT
- TOILET
- HANDICAP TOILET
- DEFIBRILLATOR
- SAMMARITTER
- FIRE ROAD
- R REDNING KONTAKT PKT
- SHOOTING AREA
- CAMPING



# EXHIBITION BUILDING 1 - THE SMALL COW STABLE



- Wooden walls, installed (could be moved to point •)
- Escape route
- Escape route
- CO<sub>2</sub> fire extinguisher
- Emergency exit device

Pax	149
Building	370,1 m <sup>2</sup>
Build up booth	237 m <sup>2</sup>

# EXHIBITION BUILDING 2 - THE BIG BARN

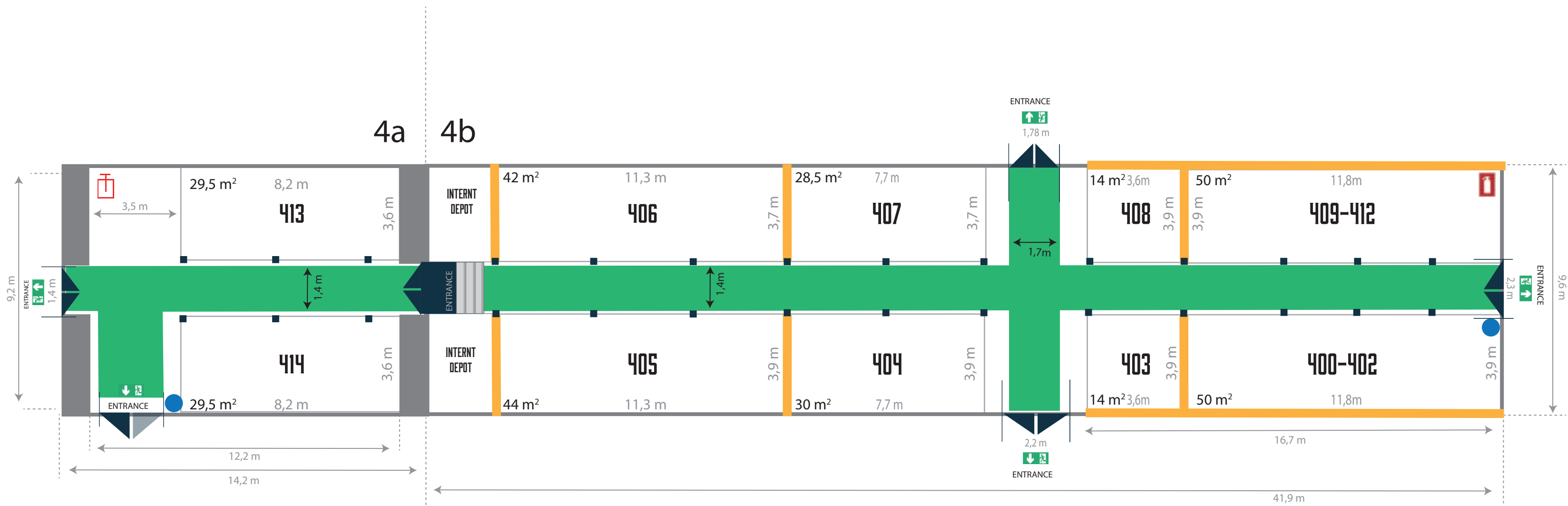


- Wooden walls, installed
- Escape route
- Escape route
- CO<sub>2</sub> fire extinguisher
- Emergency exit device

Pax	350
Building	813,4 m <sup>2</sup>
Build-up Booth	268,8 m <sup>2</sup>
Raw Booth (middel area)	193 m <sup>2</sup>



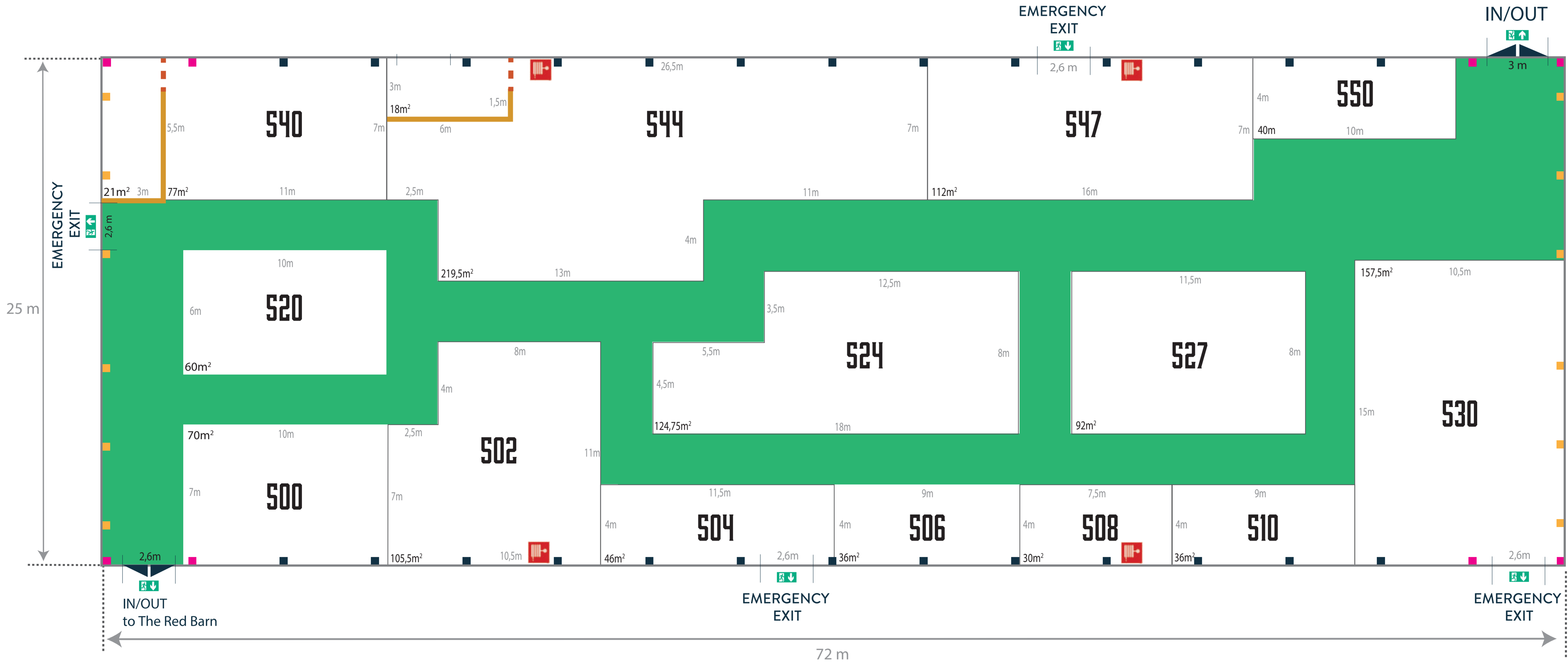
# EXHIBITION BUILDING 4A & 4B - THE OLD COW STABLE



- Wooden walls, installed
- Escape route
- Escape route
- CO<sub>2</sub> fire extinguisher
- Hand spray battery
- Emergency exit device

	4a	4b
Pax	149	
Building	112,2 m <sup>2</sup>	402 m <sup>2</sup>
Build-up Booth	59 m <sup>2</sup>	272,5 m <sup>2</sup>

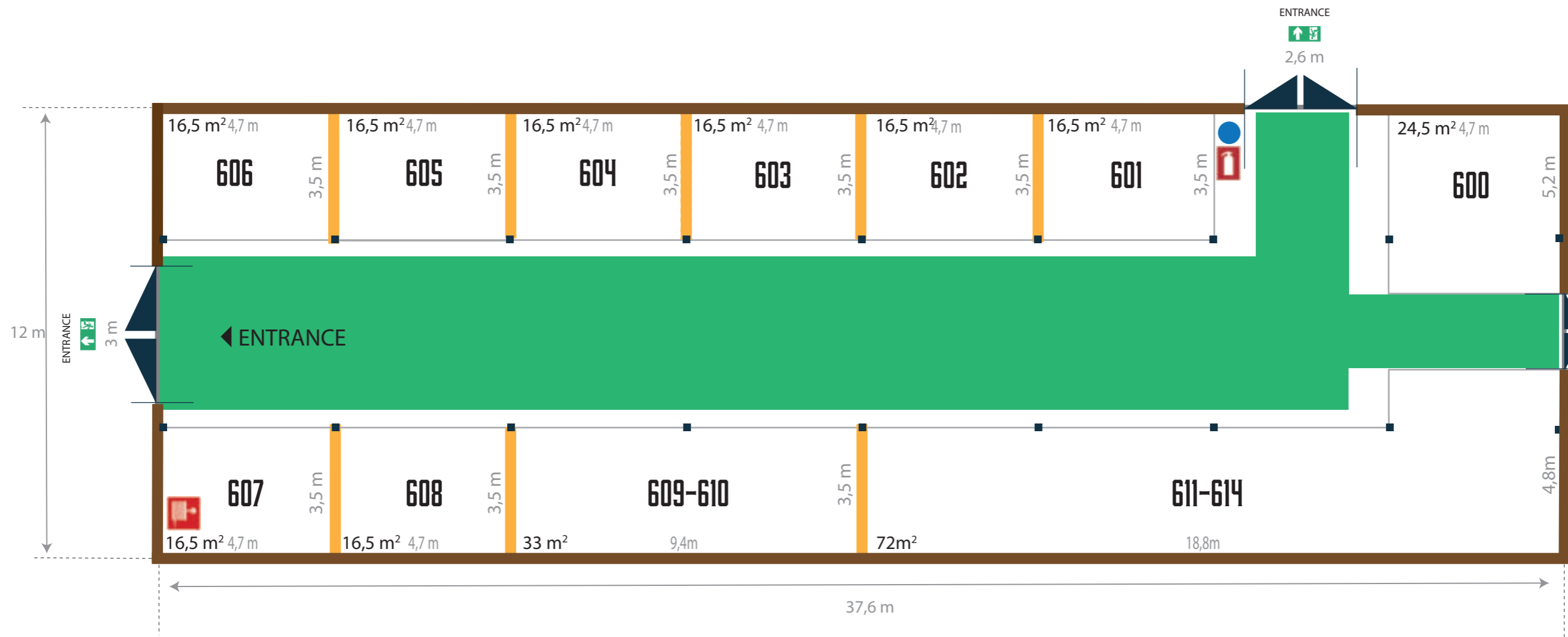
# EXHIBITON 5 - THE NEW BARN



- Curtain
- Existing wooden wall
- Wooden walls, installed (could be moved to point ■)
- Installation of wooden walls possible
- Escape route
- Escape plan
- Fire hoses reel
- CO<sub>2</sub> fire extinguisher
- Emergency exit device

Pax	250
Building	1800 m <sup>2</sup>
Built-up Booth	1245,25 m <sup>2</sup>

# EXHIBITION BUILDING 6 - THE RED BARN



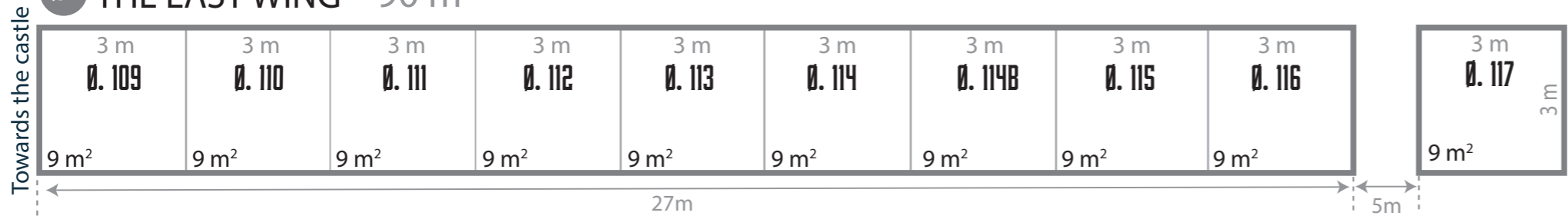
- Existing wood wall
- Wooden walls, installed
- Escape route
- Escape plan
- Fire hoses reel
- CO<sub>2</sub> fire extinguisher
- Emergency exit device

Pax	149
Building	451 m <sup>2</sup>
Build-up Booth	253,5 m <sup>2</sup>

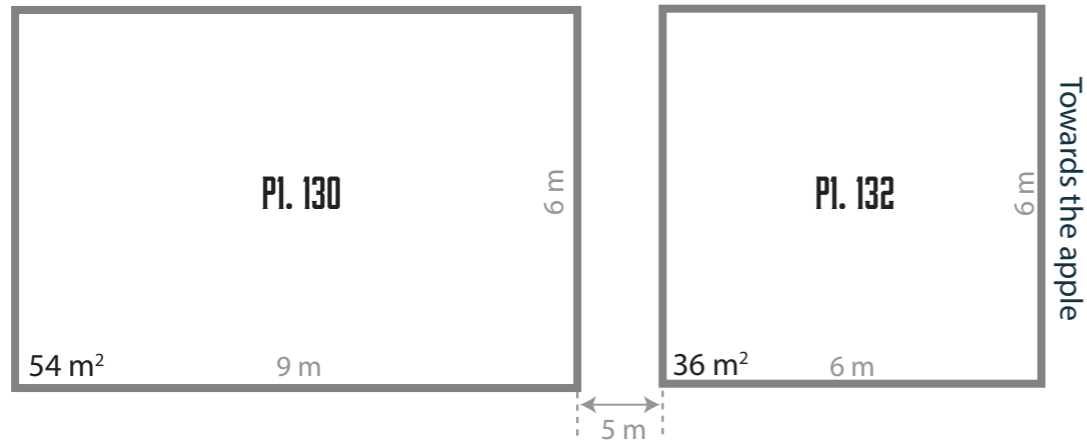
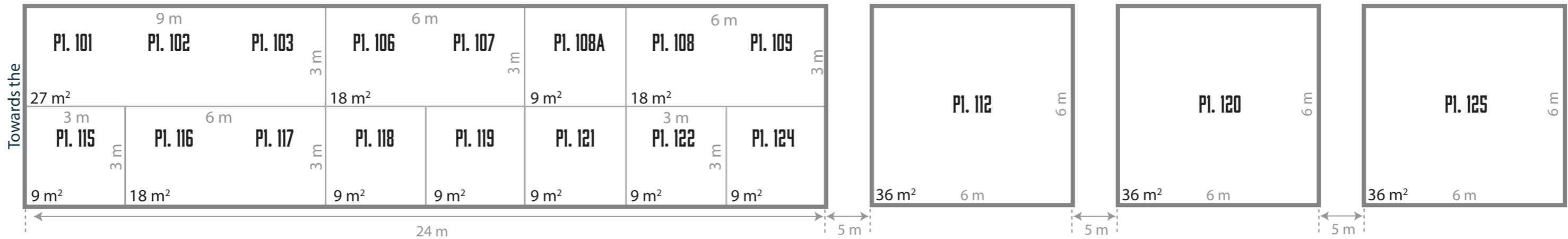
# TENTS



## ∅ THE EAST WING 90 m<sup>2</sup>



## P1 THE PARK 1 342 m<sup>2</sup>

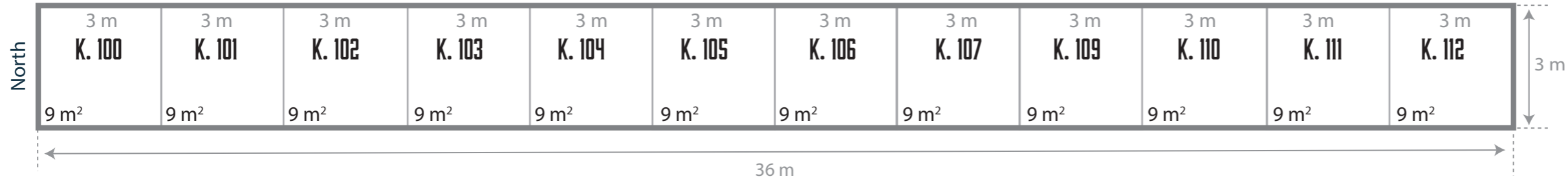




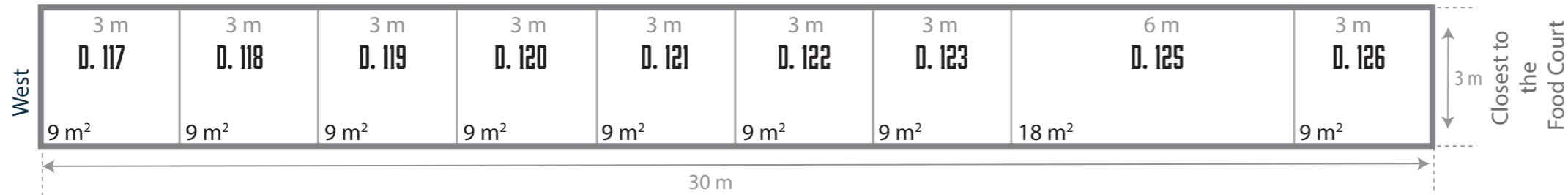
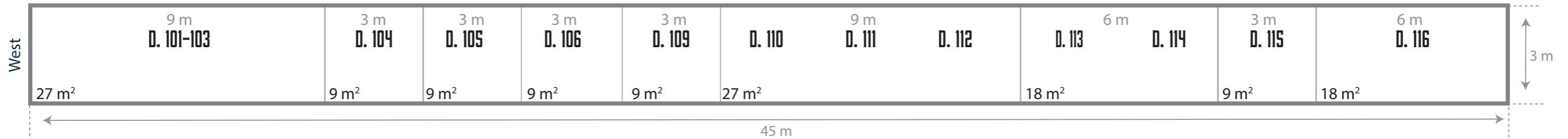


# TENTS

## K THE RED DEER ENCLOSURE 108 m<sup>2</sup>



## D THE PONDS 225 m<sup>2</sup>



## J KNIFE MAKERS 63 m<sup>2</sup> See the participants in the list J



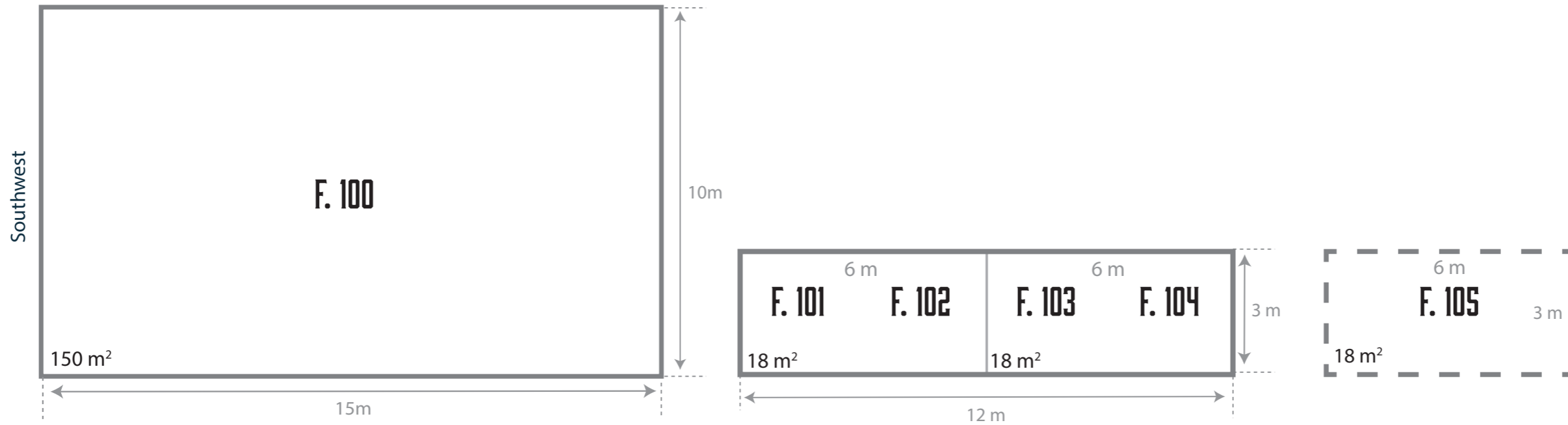
## J KNIFE MAKERS



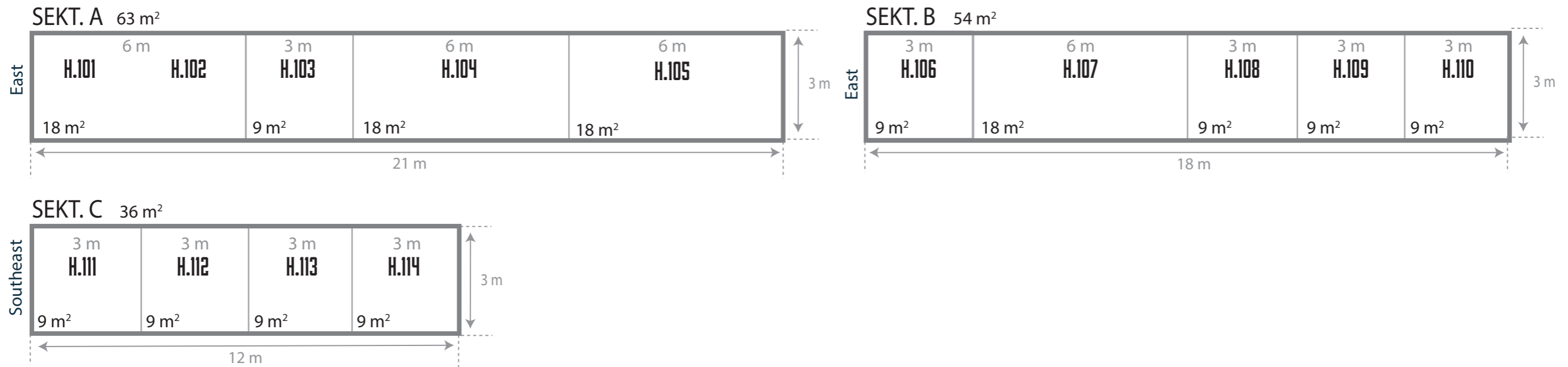


# TENTS

## F THE FEED LOT 204 m<sup>2</sup>



## H THE DOG AREA 144 m<sup>2</sup>





# TENTS

● THE PARK

● DEMOFIELD/4X4 TESTDRIVING

● SHOOTINGRANGE - SHOOTGON

● SHOOTINGRANGE - RIFFLE

● JÆGERFORBUND / BLIV NATURLIGVS / ALLÉEN

● CLINIC SHOOTING RANGE

● FOODTRUCKS

● OUTDOOR

● COUNTRYYARD BY BUILDING 6

● BY THE SHOOTING RANGE